

Snow Plows

Industrial Equipment

Built to

LAST



Fabrication S. Houle

1 888 404-4380

www.shoule.com

ARCTIC BLASTER

'S' Category

Arctic Blaster snow plow series are equipped with a trigger mechanism when hitting an obstacle.

Blades from "S" category are specially design for mini loaders who develop between 50 to 80 HP.



Extendable blade

Blade height : 28 ½"

Bolted, reversible tempered steel cutting edge : (thickness 5/8")

Skid shoe with spring blade

Interface between 45° attachment and loader

UHMW slide

10" Extension (OPTIONAL)

45° swivel attachment for hitch.



Swivel attachment for front end loader



Quick attach for front end loader

Model	Product code	Closed (Exterior)	Opened (Exterior)	Weight
7/11 S Cat. - V45	LN02S711-00001	7ft 1in	11ft 1in	2 200 lb
7/11 S Cat. - Loader	LN02S711-00002	7ft 1in	11ft 1in	2 025 lb
8/13 S Cat. - V45	LN02S813-00001	8ft 5in	13ft 1in	2 300 lb
8/13 S Cat. - Loader	LN02S813-00002	8ft 5in	13ft 1in	2 275 lb



from 60 to 120 HP

Reversible

Our new reversible blade was created for customers with a need to be closer to better avoid any obstacles like houses, fences, garage door, etc.

The versatility of our reversible blade will certainly respond to all your needs for a long time.



Extendable blade

Blade height : 36"



Quick attach for front end loader

Extendable section mounted on UHMW slide

Bolted tempered steel cutting edge : (thickness 5/8")

Tempered steel cutting edge : (thickness 1/2")

Bolted tempered steel cutting edge : (thickness 5/8")

Swivel attachment for front end loader

Skid shoe with spring blade

Model	Product code	Closed (Exterior)	Opened (Exterior)	Weight
7/11 S Cat. Reversible	LN02S711-00003	7ft 5in	11ft 5in	2 775 lb
8/13 S Cat. Reversible	LN02S813-00004	8ft 4in	13ft 1in	2 950 lb

ARCTIC BLASTER

'L' Category

At Fabrication S.Houle, we design our snow plows to be both rugged and lightweight. Our engineering team designed, calculated and tested all snow plows to give you a valued product.

Snow plows from Arctic Blaster series are equipped with trigged mechanism sections when hitting an obstacle.



Model	Product code	Closed (Exterior)	Opened (Exterior)	Weight
8/13 Cat L V45	LN02L813-00001	8ft 5in	13ft 2in	3 850 lb
8/13 Cat L Swivel	LN02L813-00002	8ft 5in	13ft 2in	3 450 lb
10/16 Cat L V45	LN02L1016-00001	10ft 6in	16ft 2in	4 350 lb
10/16 Cat L Swivel	LN02L1016-00002	10ft 6in	16ft 2in	3 950 lb
11/18 Cat L V45	LN02L1118-00001	11ft 1in	18ft 6in	4 950 lb
11/18 Cat L Swivel	LN02L1118-00002	11ft 1in	18ft 6in	4 550 lb

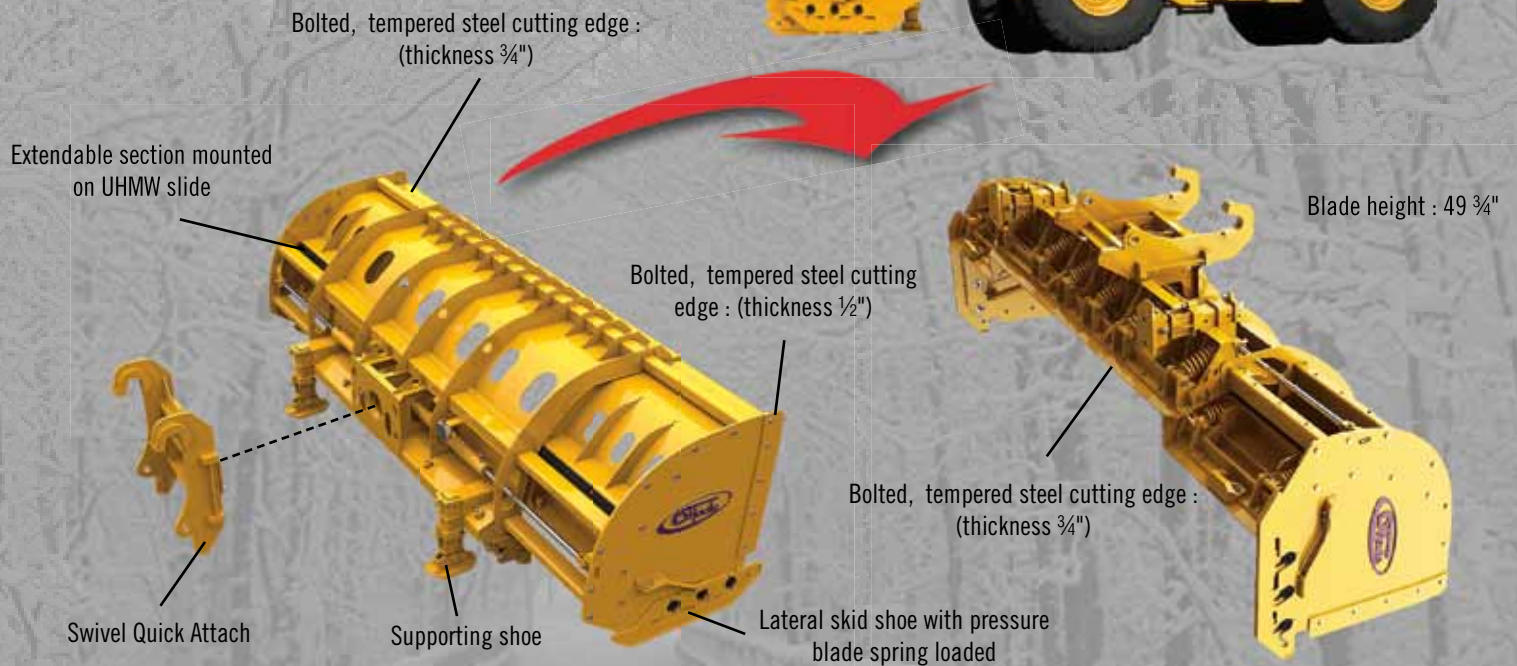


from 110 to 225 HP

Reversible

Our reversible blade was created for customers with a need to be closer to better avoid any obstacles like houses, fences, garage door, etc. and to evacuate the snow at the appropriate place.

The versatility of our reversible blade will certainly respond to all your needs for a long time.



Model	Product code	Closed (Exterior)	Opened (Exterior)	Weight
8/13 Cat L Reversible	LN02L813-00005	8ft 5in	13ft 1in	5 200 lb
10/16 Cat L Reversible	LN02L1016-00004	10ft 6in	16ft 2in	6 080 lb

None-extendable



Our none-extendable blades of category 'L' have the same characteristics that our extendable blades.

1 888 404-4380

www.shoule.com

ARCTIC BLASTER

from 150 HP to 200 HP

'M' Category

The "M" category snow plows are designated for industrial loaders from 150 to 200 hp.

Built to work under any conditions, the "M" category snow plow won't let you down.

The width of this plow will allow you to accomplish any tasks.



Blade height : 37 1/2"

12" Extension (OPTIONAL)

Bolted, reversible tempered steel cutting edge : (thickness 3/4")

Skid shoe with spring blade

Extendable section mounted on UHMW slide

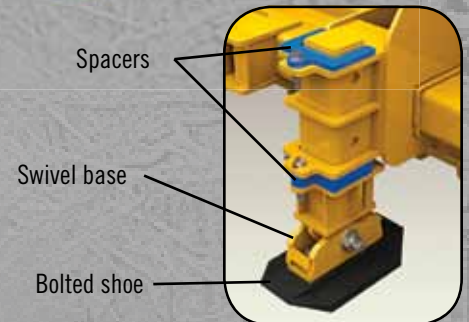


V 45

Supporting shoe



Fix



Spacers

Swivel base

Bolted shoe

Supporting shoe

Model	Product code	Closed (Exterior)	Opened (Exterior)	Weight
8/13 Cat M V45	LN02M813-00001	8ft 4in	13ft 0in	5 150 lb
8/13 Cat M Fix	LN02M813-00002	8ft 4in	13ft 0in	5 575 lb
10/16 Cat M V45	LN02M1016-00001	10ft 8in	16ft 8in	7 050 lb
10/16 Cat M Fix	LN02M1016-00002	10ft 7in	16ft 7in	6 575 lb
11/18 Cat M V45	LN02M1118-00001	11ft 5in	18ft 5in	7 285 lb
11/18 Cat M Fix	LN02M1118-00002	11ft 5in	18ft 5in	6 900 lb

None-extendable



Our none-extendable blades of category 'M' have the same characteristics that our extendable blades.

1 888 404-4380

www.shoule.com



'H' Category

200 HP and +

Specifically designed for industrial loaders, the "H" category snow plows are built for large snow removal tasks.

Their rugged design and wide opening allows more capacity therefore combines efficiency with versatility.

Blade height : 43 ½"

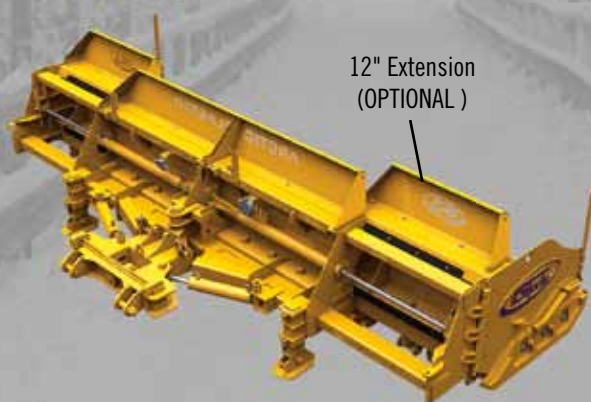


Push Arm
(OPTIONAL)

Skid shoe with
spring blade

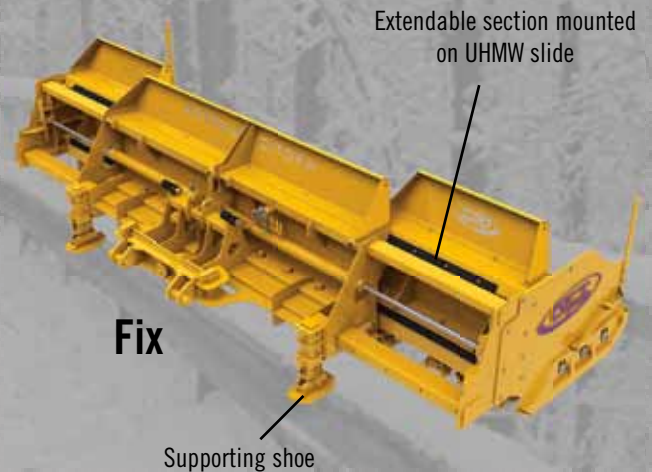
Bolted, reversible tempered steel
cutting edge : (thickness ¾")

V 45



12" Extension
(OPTIONAL)

Fix



Extendable section mounted
on UHMW slide

Supporting shoe

Model	Product code	Closed (Exterior)	Opened (Exterior)	Weight
10/16 Cat H V45	LN02H1016-00001	10ft 9in	16ft 9in	8 800 lb
10/16 Cat H Fix	LN02H1016-00002	10ft 9in	16ft 9in	8 350 lb
12/19 Cat H V45	LN02H1219-00001	12ft 2in	19ft 6in	9 575 lb
12/19 Cat H Fix	LN02H1219-00002	12ft 2in	19ft 6in	9 100 lb

WINTER BLASTER

'S' Category

The Winter Blaster is a front mounted blade. Four coil springs for the 6/10 and six for the 7/11 make the Winter Blaster a trip-action blade. The 6/10 and 7/11 have a 28 ½" blade height assembly.

The 6/10 is ideal for equipment ranging from 50 to 80 hp. The 7/11 will be best matched to your 75 to 100 hp equipment. The Winter Blaster's unique design makes it our lightest plow, given its load capacity.

Blade height : 28 ½"

Bolted, reversible tempered steel cutting edge : (thickness ⅝")

Interface between 45° attachment and mini-loader

The blade releases with the help of coil springs

45° swivel attachment for hitch.

Swivel attachment for front end loader

Quick attach for front end loader

Model	Product code	Closed (Exterior)	Opened (Exterior)	Weight
6/10 Cat S V45	LN05S610-00001	6ft 6in	10ft 1in	2 050 lb
6/10 Cat S Loader	LN05S610-00002	6ft 6in	10ft 1in	2 000 lb
7/11 Cat S V45	LN05S711-00001	7ft 1in	11ft 1in	2 175 lb
7/11 Cat S Loader	LN05S711-00002	7ft 1in	11ft 1in	2 100 lb



from 60 to 120 HP

The Winter Blaster is a front mounted blade. Four coil springs for the 6/10 and six for the 7/11 make the Winter Blaster a trip-action blade. The 6/10 and 7/11 have a 28 ½" blade height assembly.

The 6/10 is ideal for equipment ranging from 50 to 80 hp. The 7/11 will be best matched to your 75 to 100 hp equipment. The Winter Blaster's unique design makes it our lightest plow, given its load capacity.



Blade height : 28 ½"

Bolted, reversible tempered steel cutting edge : (thickness 5/8")

Interface between 45° attachment and backhoe

The blade releases with the help of coil springs

Swivel attachment for front end loader

45° swivel attachment for hitch



Quick attach for front end loader

Model	Product code	Closed (Exterior)	Opened (Exterior)	Weight
6/10 Cat S V45	LN05S610-00001	6ft 6in	10ft 1in	2 050 lb
6/10 Cat S Loader	LN05S610-00002	6ft 6in	10ft 1in	2 000 lb
7/11 Cat S V45	LN05S711-00001	7ft 1in	11ft 1in	2 175 lb
7/11 Cat S Loader	LN05S711-00002	7ft 1in	11ft 1in	2 100 lb

WINTER BLASTER

'L' Category

from 80 to 150 HP

The Winter Blaster is a front mounted pivoting or not blade. With six adjustable coil springs, the "L" category Winter Blaster is a trip-action blade. With a 36" blade height assembly the Winter Blaster is ideal for equipment ranging from 100 to 150 hp.

The Winter Blaster's unique design makes it our lightest plow, given its load capacity.



Blade height : 36"

Bolted, reversible tempered steel cutting edge : (thickness 3/4")

The blade releases with the help of coil springs

Interface between 45° attachment and backhoe

Swivel attachment for front end loader

45° swivel attachment for hitch.



Quick attach for front end loader

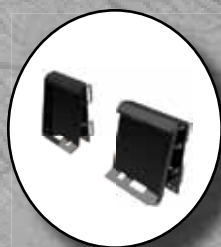
Model	Product code	Closed (Exterior)	Opened (Exterior)	Weight
8/13 Cat L V45	LN05L813-00001	8ft 3in	13ft 1in	3 450 lb
8/13 Cat L Loader	LN05L813-00003	8ft 3in	13ft 1in	3 125 lb

We have a wide variety of attachments

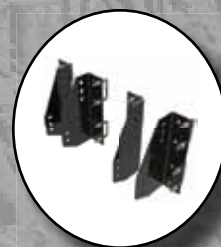
Quick attach



Alo



Skidsteer



Universal

Loader attachments



EDF



Volvo



Caterpillar

and much more...

Reference Chart

Type	HP	Winter Blaster	Reversible	Arctic Blaster Cat S	Arctic Blaster Cat L	Arctic Blaster Cat M	Arctic Blaster Cat H
Skid Steer Loaders	50 to 80	6/10 Cat.S					
	75 to 100	7/11 Cat.S					
Backhoe	50 to 80	6/10 Cat.S					
	75 to 100	7/11 Cat.S	7/11, 8/13 Cat.S	7/11			
	100 to 150	8/13 Cat.L	8/13 Cat.L	7/11, 8/13	8/13		
Compact Loaders	50 to 80	7/11, 8/13 Cat.S	7/11, 8/13 Cat.S	7/11, 8/13			
Loaders	80 to 150	8/13 Cat.L	8/13 Cat.L		8/13		
	150 to 200				8/13, 10/16, 11/18	10/16, 11/18	
	200 and +					11/18	10/16, 12/19



**Effective
Solid
Durable**

At your service since 1994



Present everywhere in North America



Fabrication S. Houle inc.

300 Industrial blvd, P.O. box 750, St-Germain (Quebec) J0C 1K0
Phone : 819 395-4380
Fax : 819 395-5516
E-Mail : info@shoule.com



1 888 404-4380

As part of our commitment to continual improvement of our products Fabrication S Houle inc. reserve the right to modify the products presented in this brochure without notice.

www.shoule.com