

Snow Plows

Agricultural Equipment

Built to

LAST



Fabrication S. Houle

1 888 404-4380

www.shoule.com

ARCTIC BLASTER

'S' Category



10" Extension
(OPTIONAL)



Hitch installation

Blade height 28 1/2"

Arctic Blaster snow plow series are equipped with a trigged mechanism when hitting an obstacle.



45° swivel attachment
for hitch.



Quick attach for front
end loader



Swivel attachment for
front end loader



Front end loader installation



Front end loader blade



from 60 to 120 HP



UHMW slide



Rubber guard



Skid shoe with spring blade



Stand
2 1/2" Hydraulic cylinder



Extension shoe

Mechanical release with bolted, reversible tempered steel cutting edge : (thickness 5/8")



| Model | Product code | Closed (Exterior) | Opened (Exterior) | Weight |
|---------------|----------------|-------------------|-------------------|----------|
| 7/11 - V45 | LN02S711-00001 | 7ft 1in | 11ft 1in | 2 200 lb |
| 7/11 - Loader | LN02S711-00002 | 7ft 1in | 11ft 1in | 2 025 lb |
| 8/13 - V45 | LN02S813-00001 | 8ft 5in | 13ft 1in | 2 300 lb |
| 8/13 - Loader | LN02S813-00002 | 8ft 5in | 13ft 1in | 2 275 lb |

ARCTIC BLASTER

'L' Category

Arctic Blaster snow plow series are equipped with a triggered mechanism when hitting an obstacle.



10" Extension
(OPTIONAL)

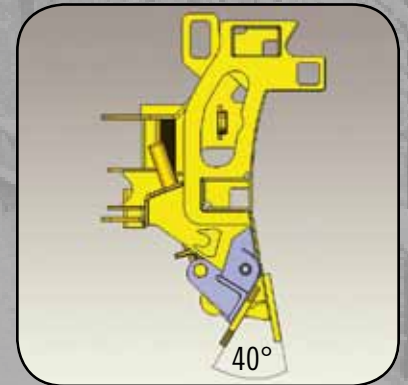
Blade height 37"



45° swivel attachment
for hitch.



Hitch installation



Mechanical release displacement

| Model | Product code | Closed (Exterior) | Opened (Exterior) | Weight |
|-----------|-----------------|-------------------|-------------------|----------|
| 8/13 V45 | LN02L813-00001 | 8ft 5in | 13ft 2in | 3 850 lb |
| 10/16 V45 | LN02L1016-00001 | 10ft 6in | 16ft 2in | 4 350 lb |
| 11/18 V45 | LN02L1118-00001 | 11ft 1in | 18ft 6in | 4 950 lb |



from 110 to 225 HP



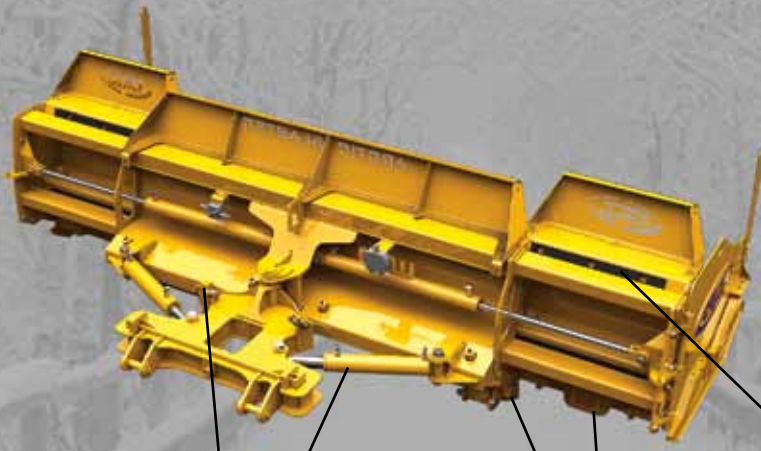
UHMW Slide



Rubber guard



Skid shoe with
spring blade



Stand

3" Hydraulic cylinder



Extension shoe

Mechanical release with bolted, reversible tempered steel cutting edge : (thickness 3/4")



Extendable section mounted on UHMW slide

ARCTIC BLASTER

250 HP and +

'M' Category

The "M" category snow plows are designated for tractors from 250 hp and more. Built to work under any conditions, the "M" category will allow you to combine efficiency with versatility.



Blade height 40"

Extendable section mounted on UHMW slide

Mechanical release with bolted, reversible tempered steel cutting edge : (thickness 3/4")

Skid shoe with spring blade



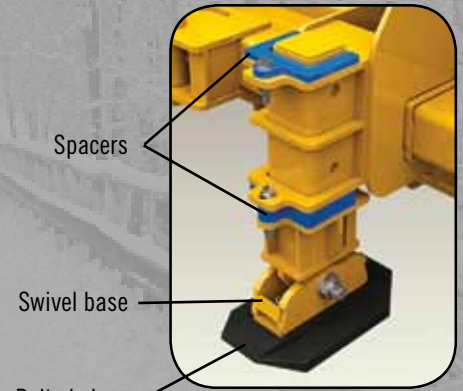
12" Extension (OPTIONAL)

V 45

Supporting shoe



Fix



Spacers

Swivel base

Bolted shoe

Supporting shoe

| Model | Product code | Closed (Exterior) | Opened (Exterior) | Weight |
|-----------|-----------------|-------------------|-------------------|----------|
| 8/13 V45 | LN02M813-00001 | 8ft 4in | 13ft 0in | 5 150 lb |
| 8/13 Fix | LN02M813-00002 | 8ft 4in | 13ft 0in | 5 575 lb |
| 10/16 V45 | LN02M1016-00001 | 10ft 8in | 16ft 8in | 7 050 lb |
| 10/16 Fix | LN02M1016-00002 | 10ft 7in | 16ft 7in | 6 575 lb |
| 11/18 V45 | LN02M1118-00001 | 11ft 5in | 18ft 5in | 7 285 lb |
| 11/18 Fix | LN02M1118-00002 | 11ft 5in | 18ft 5in | 6 900 lb |

1 888 404-4380

www.shoule.com



Other Arctic Blaster models available



**Snow plow
with hydraulic panels
'S' and 'L' Category**



**Snow plow
reversible
'S' and 'L' Category**



'L' Category



'M' Category

**Snow plow
not extendable
'S', 'L' et 'M' Category**



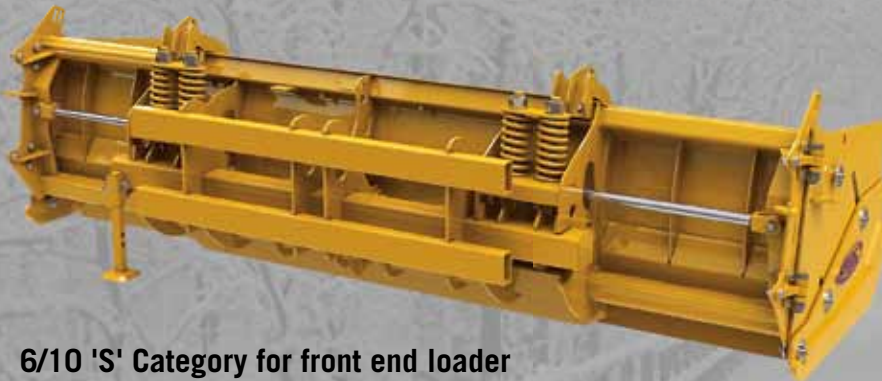
'S' Category

WINTER BLASTER

'S' and 'L' Category



6/10 'S' Category with V45 attachment



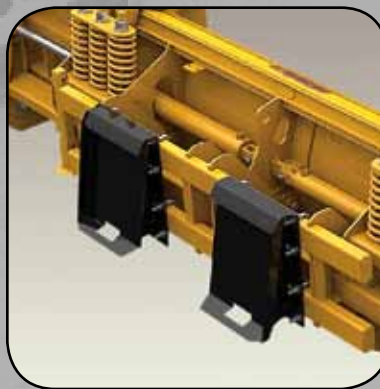
6/10 'S' Category for front end loader



Hitch installation



45° swivel attachment for hitch.



Quick attach for front end loader



Swivel attachment for front end loader



from 60 to 200 HP

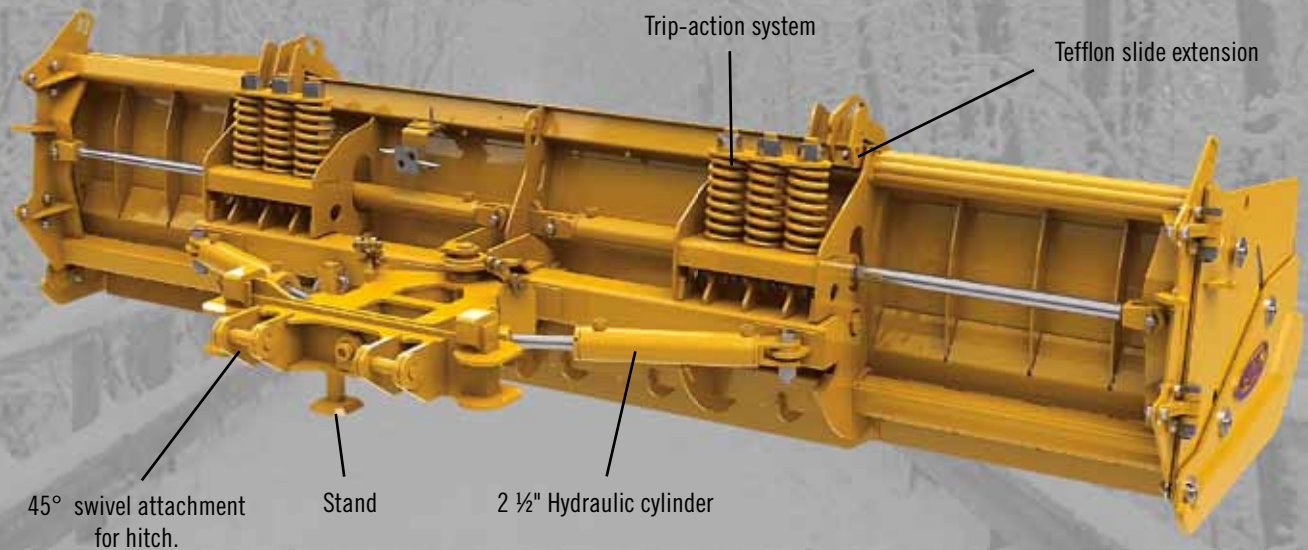
Model shown : 8/13 'L' Category



Bolted, reversible tempered steel cutting edge
 'S' Category : (thickness 5/8")
 'L' Category : (thickness 3/4")

Base shoe in RT-400 steel, 3/4" thickness

Model shown : 7/11 'S' Category with V45 attachment



Trip-action system

Teflon slide extension

45° swivel attachment for hitch.

Stand

2 1/2" Hydraulic cylinder

| Model | Product | Catégorie | Closed (Exterior) | Opened (Exterior) | Springs | Mass high | Weight |
|---------------|----------------|-----------|-------------------|-------------------|---------|-----------|----------|
| 6/10 - V45 | LN05S610-00001 | S | 6ft 6in | 10ft 1in | 4 | 28 1/2" | 2 050 lb |
| 6/10 - Loader | LN05S610-00002 | S | 6ft 6in | 10ft 1in | 4 | 28 1/2" | 2 000 lb |
| 7/11 - V45 | LN05S711-00001 | S | 7ft 1in | 11ft 1in | 6 | 28 1/2" | 2 175 lb |
| 7/11 - Loader | LN05S711-00002 | S | 7ft 1in | 11ft 1in | 6 | 28 1/2" | 2 100 lb |
| 8/13 V45 | LN05L813-00001 | L | 8ft 3in | 13ft 1in | 6 | 36" | 3 450 lb |
| 8/13 Loader | LN05L813-00003 | L | 8ft 3in | 13ft 1in | 6 | 36" | 3 125 lb |

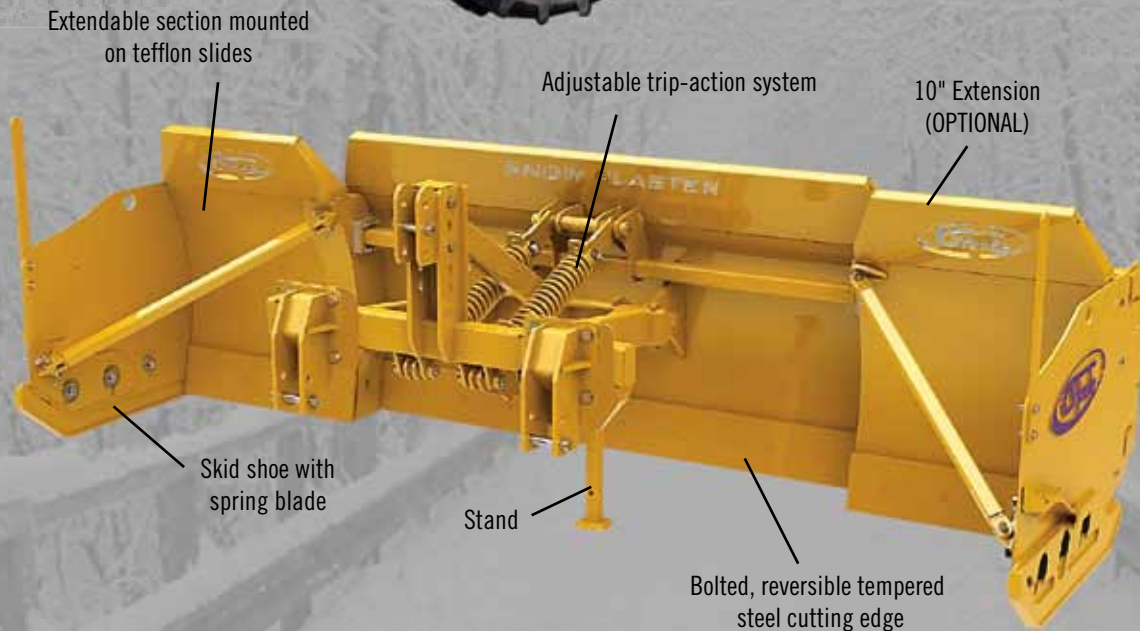
SNOW BLASTER

from 60 to 200 HP

'S' and 'L' Category

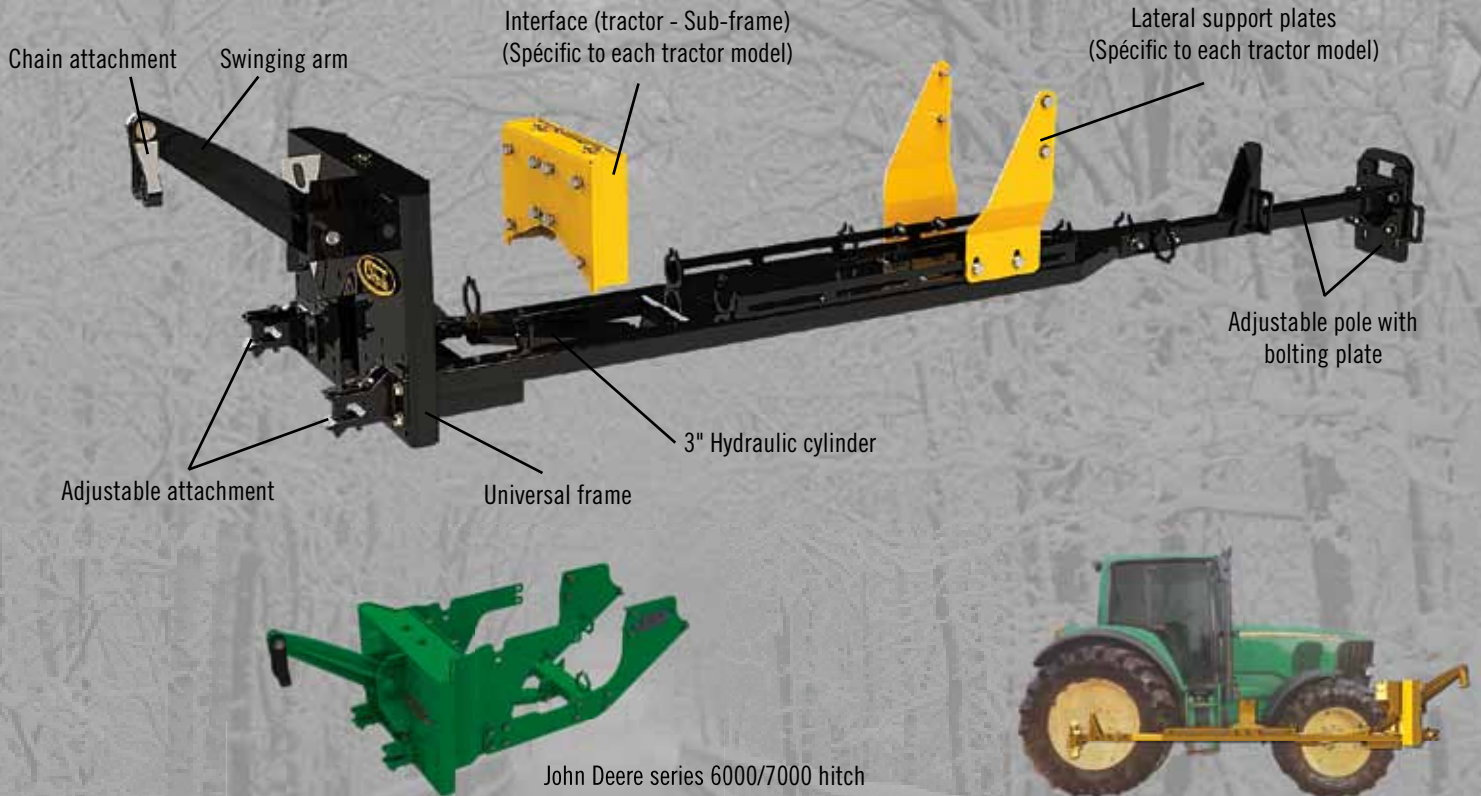
The Snow Blaster is our rear mount snow plow with a 3 point hitch attachment. The Snow Blaster series is the best extendable blade available.

Equipped with an adjustable trip-action mechanism and many other characteristics offering maximum ruggedness and dependability, the Snow Blaster is a snow plow you will use for many years.



| Model | Product code | Closed (Exterior) | Opened (Exterior) | Height | Cutting edge thickness | Weight |
|---------------------|-----------------|-------------------|-------------------|--------|------------------------|----------|
| 6/10 inverse Cat.S | LN03S610-00001 | 6ft 2in | 10pi 1in | 28 ½" | ⅝" | 1 875 lb |
| 7/11 inverse Cat.S | LN03S711-00004 | 7ft 1in | 11pi 1in | 28 ½" | ⅝" | 2 050 lb |
| 8/13 inverse Cat.S | LN03S813-00001 | 8pi 1in | 13pi 1in | 28 ½" | ⅝" | 2 250 lb |
| 8/13 inverse Cat.L | LN03L813-00001 | 8ft 5in | 13ft 3in | 36" | ¾" | 3 200 lb |
| 10/16 inverse Cat.L | LN03L1016-00001 | 10ft 6in | 16ft 6in | 36" | ¾" | 3 600 lb |

Our harnesses include a 3" diameter hydraulic cylinder. Due to our interface system (harness-tractor), our harnesses will adapt to about any tractor model. Their robust construction assures a great resistance to chocs.



EFFICIENCY



DURABILITY





**Effective
Solid
Durable**

At your service since 1994



Present everywhere in North America



Fabrication S. Houle inc.

300 Industrial blvd, P.O. box 750, St-Germain (Quebec) J0C 1K0
Phone : 819 395-4380
Fax : 819 395-5516
E-Mail : info@shoule.com



1 888 404-4380

As part of our commitment to continual improvement of our products Fabrication S Houle inc. reserve the right to modify the products presented in this brochure without notice.

www.shoule.com