

Compact Equipment

Built to

LAST



Fabrication S. Houle

1 888 404-4380

www.shoule.com

Snowblower

SOLID

Cutting width	72"
Cutting height	30 ½"
HP recommended	30 to 60HP
Fan RPM	between 540 and 685
Fan diameter	24"
Number of impellers	4
Drum depth	9"
Auger diameter	19"
Auger mounted on bearings	Standard
Renold #60 chain	Standard
Eccentric chain tensioner	Standard
Chute cylinder	2" dia. x 6" stroke
Chute with hydraulic motor and cushion valve	Standard
Chute mounted on UHMW	Standard
PTO with shear bolt	Standard
Weight	1 150 lbs

S-172



Cutting width	62"
Cutting height	30 ½"
HP recommended	30 to 60HP
Fan RPM	between 540 and 685
Fan diameter	24"
Number of impellers	4
Drum depth	9"
Auger diameter	19"
Auger mounted on bearings	Standard
Renold #60 chain	Standard
Eccentric chain tensioner	Standard
Chute cylinder	2" dia. x 6" stroke
Chute with hydraulic motor and cushion valve	Standard
Chute mounted on UHMW	Standard
PTO with shear bolt	Standard
Weight	1 100 lbs

S-162



Our **semi-industrial** snowblowers **S-162** and **S-172** can either be installed in **front** or the **rear** of your tractor.



1 888 404-4380

www.shoule.com

PERFORMANCE



We have created and developed a wide range of **(harnesses - drive system)** for many models of **compact tractors** between **30 and 60 HP**.



Harness JD 3720, 4720

*Drive system
JD 3720, 4720*



John Deere 3720 / S-162 Snowblower



Kubota L-5740 / S-172 Snowblower



NH 3045 BOOMER / S-172 Snowblower

1 888 404-4380

www.shoule.com

Double auger

Standard model

Cutting width	50 ¾"
Cutting height	37 ½"
HP recommended	30 to 60HP
Fan RPM	680
Fan diameter	24"
Number of impellers	4
Drum depth	9"
Augers diameter	16"
Augers mounted on bearings	Standard
Renold #50-2 chain (Double)	Standard
Eccentric chain tensioner	Standard
Chute cylinder	2" dia. x 6" stroke
Chute with hydraulic motor and cushion valve	Standard
Chute mounted on UHMW	Standard
Side shoes in RT-400 steel	Standard
PTO with shear bolt	Standard
Weight	1 175 lbs



S-250

HD model



With the same design as our standard, **our HD model** is manufactured for equipment of **50 à 100 HP**.

Our drive system is heavy duty therefore more robust. **Auger is much more aggressive, chain Renold #50-2 (double), resistant gear box**, etc. With these added features the **S-250 HD** is the tool for better snow removal and thus more performant.

RESISTANCE



John Deere 3720 / S-250 Snowblower



Plannord SW4S / S-250 Snowblower

Benco vehicle / S-250 Snowblower



Trackless vehicle / S-250 Snowblower

We can adapt our snowblowers to many **utility vehicles**.

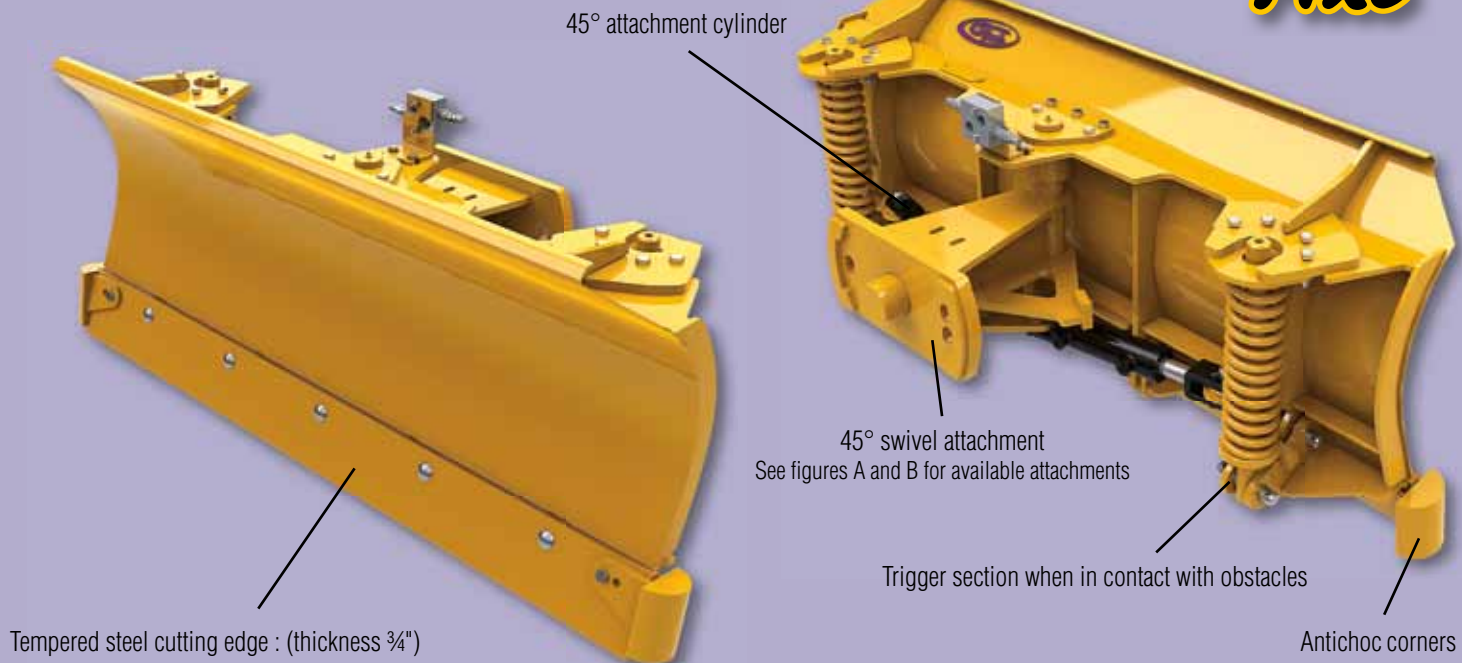
1 888 404-4380

www.shoule.com

Sidewalk Blade

ROBUST

Fixe



Product code	Description	Width	Height	Weight
LN01S60-00001-B	Sidewalk blade 60"	60"	26 1/2"	565 lbs



Figure A



Mechanical interface (Harness - Sidewalk blade)

Figure B



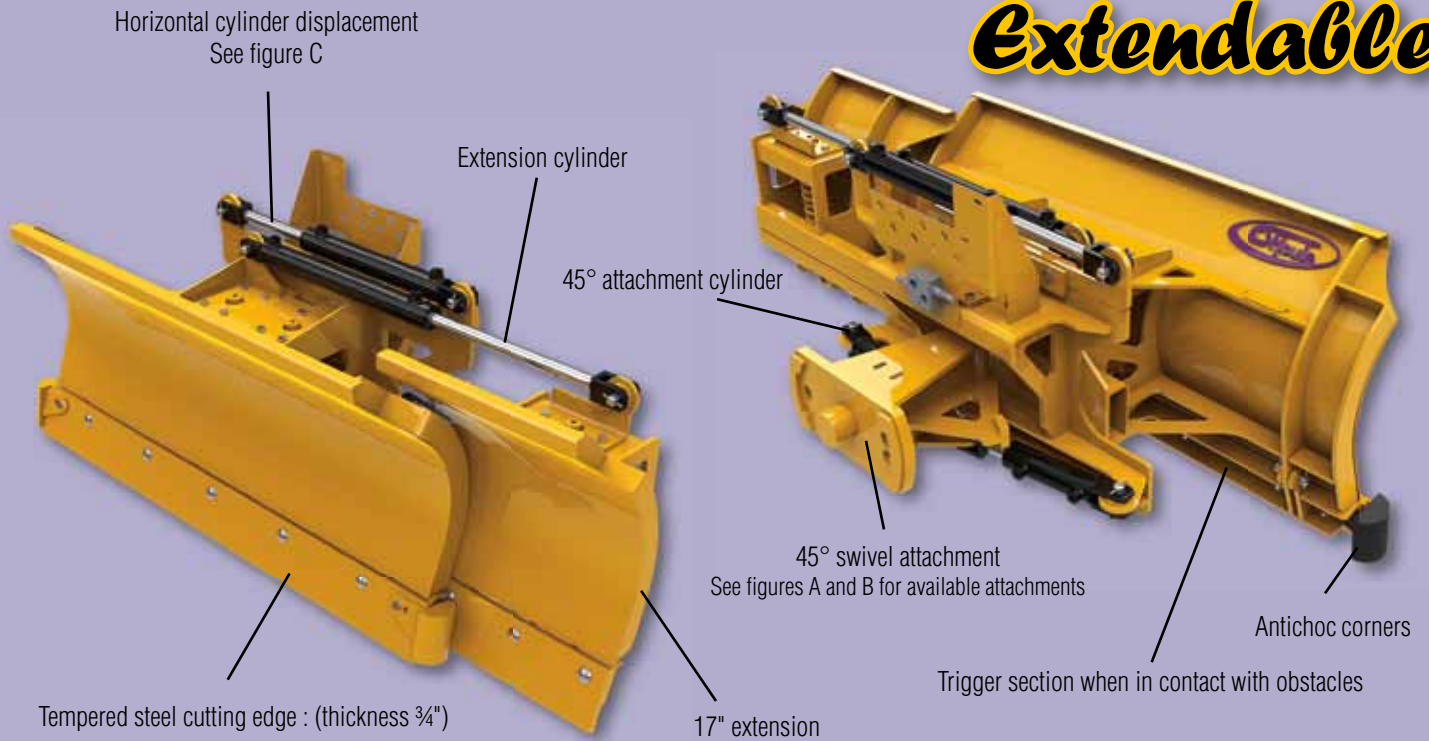
Hydraulic interface (Harness - Sidewalk blade)

I
N
T
E
R
F
A
C
E
S

VERSATILE



Extendable

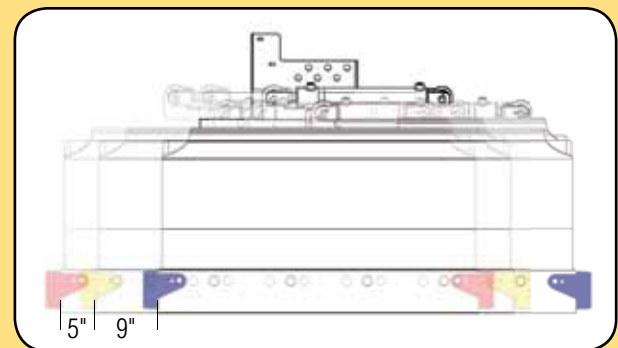


Product code	Description	Closed	Opened	Height	Weight
LN01S60-00002-B	Extendable Sidewalk Blade	60"	77"	27 3/4"	1 125 lbs



Trackless vehicle / Extendable Sidewalk Blade

Figure C

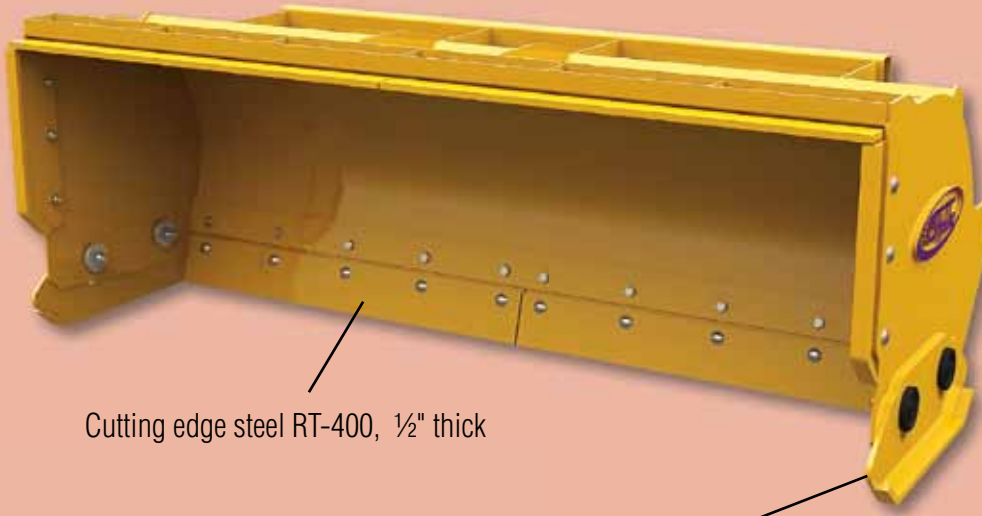


- Position when cylinder is closed.
- Position when blade is centered.
- Position when cylinder is open.

Reversible Blades

PRATICAL

Fixe



Cutting edge steel RT-400, 1/2" thick

Lateral Skid Shoe

from 30 to 60 HP



Allows you to get closer

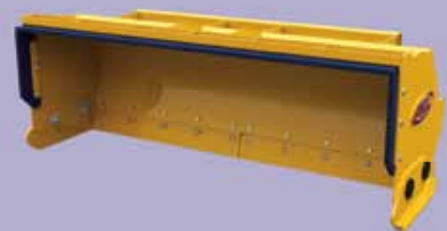
Available in the following width :
5', 6', 6 1/2', 7' and 8'

Product code	Description	Width	Height	Weight
LN02C5-00001	Arctic Blaster - Reversible 5' Cat C	60"	25"	535 lbs
LN02C6-00001	Arctic Blaster - Reversible 6' Cat C	72"	25"	600 lbs
LN02C66-00001	Arctic Blaster - Reversible 6 1/2' Cat C	78"	25"	625 lbs
LN02C7-00001	Arctic Blaster - Reversible 7' Cat C	84"	30"	780 lbs
LN02C8-00001	Arctic Blaster - Reversible 8' Cat C	96"	30"	865 lbs

Other available models



Cutting edge (Tivar-Rubber) without trigger mechanism



Trigger blade - Cutting edge (Tivar-Steel)

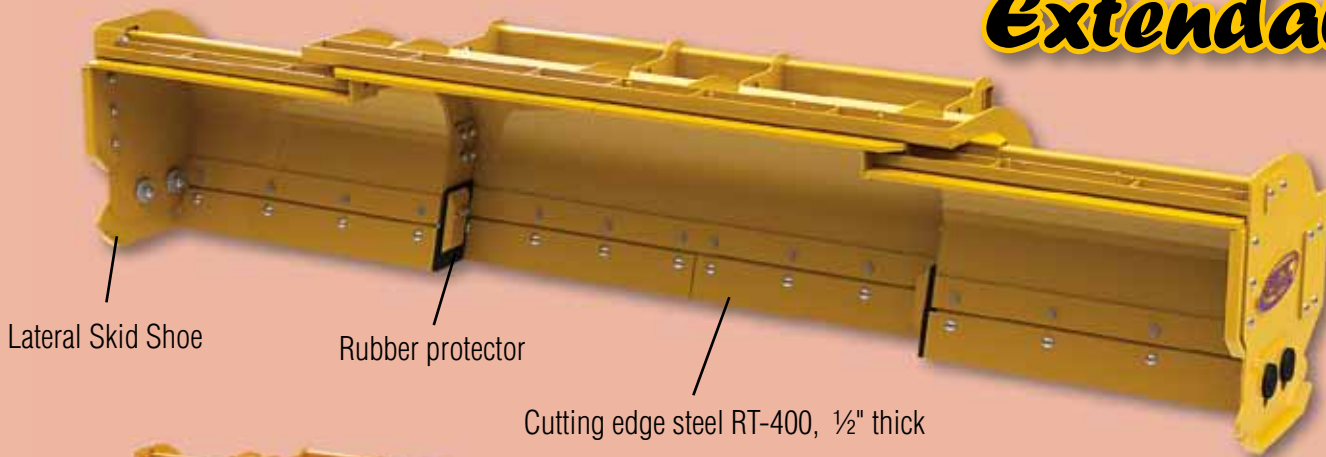
1 888 404-4380

www.shoule.com

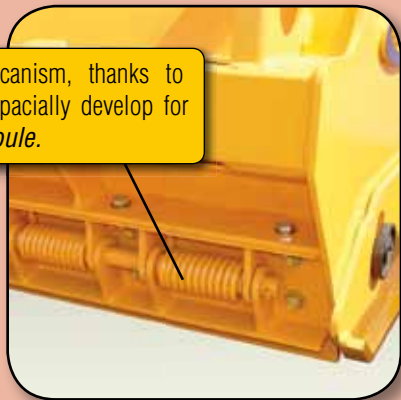
DURABLE



Extendable



Blade trigger mechanism, thanks to torsion springs especially developed for Fabrication S. Houle.



from 40 to 85 HP

3 models available



Product code	Description	Closed	Opened	Height	Weight
LN02C559-00001	Arctic Blaster - Reversible 5 1/2/9 Cat C	66"	108"	25"	950 lbs
LN02C610-00001	Arctic Blaster - Reversible 6/10 Cat C	72"	120"	25"	1 050 lbs
LN02C712-00001	Arctic Blaster - Reversible 7/12 Cat C	84"	144"	30"	1 280 lbs



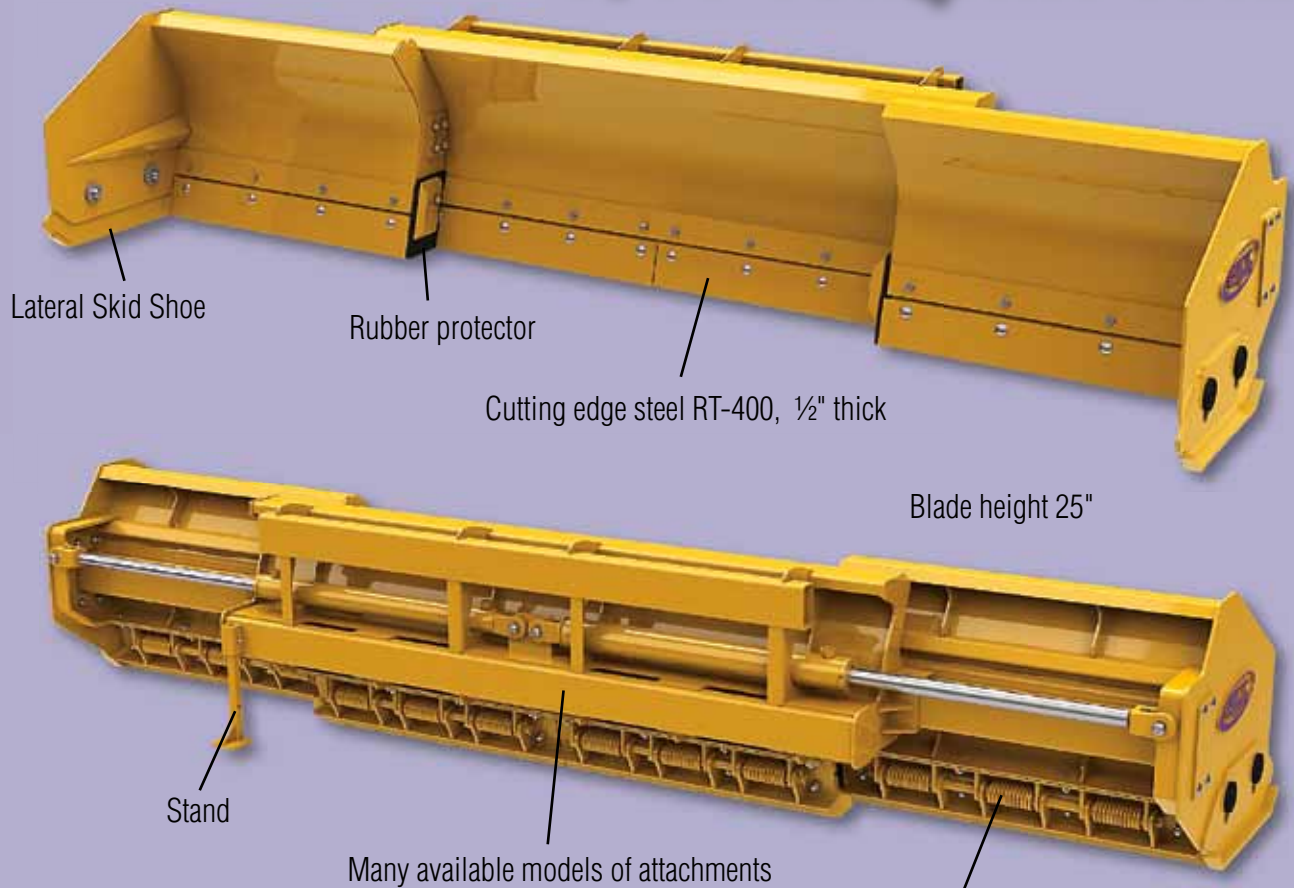
1 888 404-4380

www.shoule.com

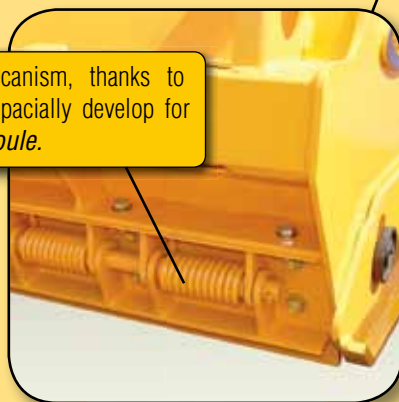
Standard Blades

FLEXIBLE

6/10 compact blade



Blade trigger mechanism, thanks to torsion springs especially develop for *Fabrication S. Houle*.



Attachment



We have a wide variety of attachments



Alo



Skidsteer



Universal

and much more...



Winter... it's our business!



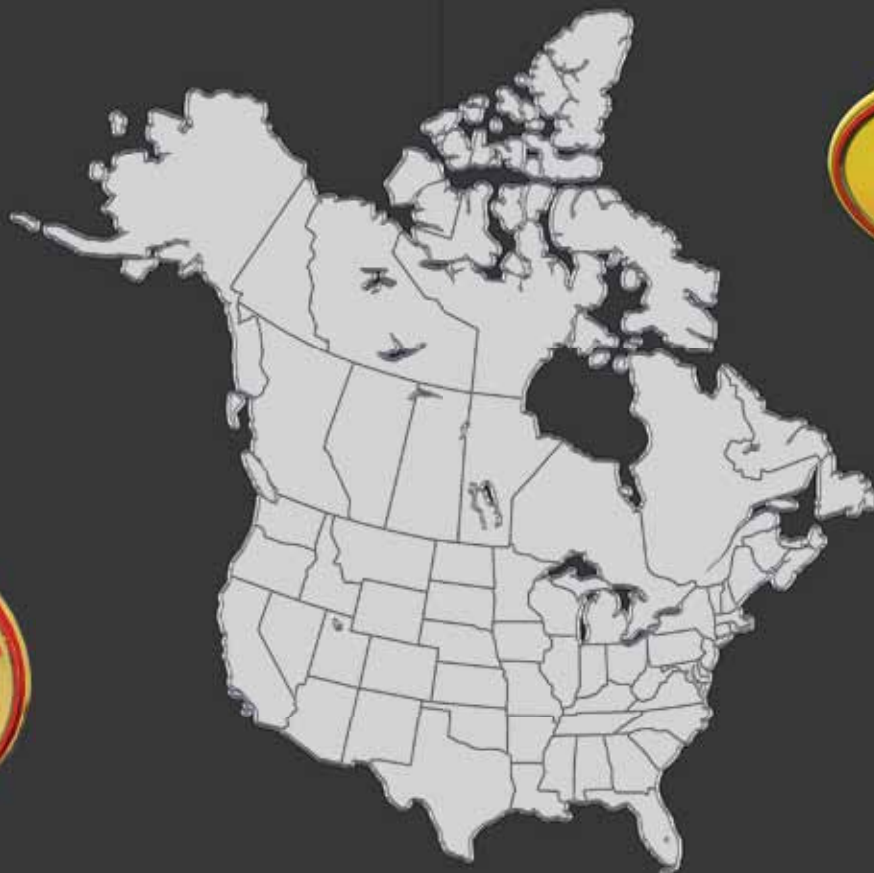
1 888 404-4380

www.shoule.com



Effective
Solid
Durable

At your service since 1994



Present everywhere in North America



Fabrication S. Houle inc.

300 Industrial blvd, P.O. box 750, St-Germain (Quebec) J0C 1K0
Phone : 819 395-4380
Fax : 819 395-5516
E-Mail : info@shoule.com



1 888 404-4380

As part of our commitment to continual improvement of our products Fabrication S Houle inc. reserve the right to modify the products presented in this brochure without notice.

www.shoule.com